

## Shutoff valve type A120 / A130

### Application and function

The area of application comprises the entire product range of reflex, transparent and bicolour level gauges. They are used to shut off the level gauge.

### Technical basic equipment

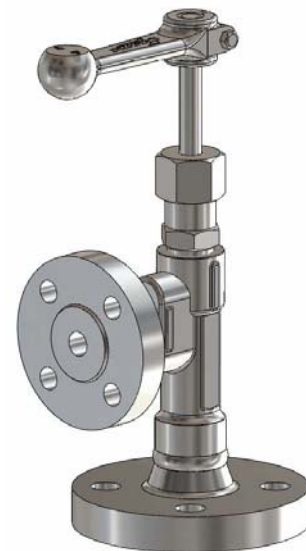
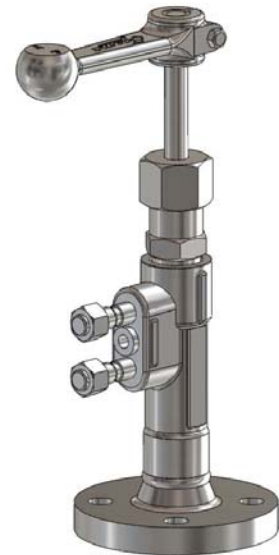
- Body material carbon steel, material as per DIN or ASME
- Inner parts of valve stainless steel
- Handlever Aluminium
- Process connection DN20 as per DIN
- Self-closing ball for automatic shutoff in case of glass or mica break
- Version with backseat to release gland packing

### Available (optional) versions

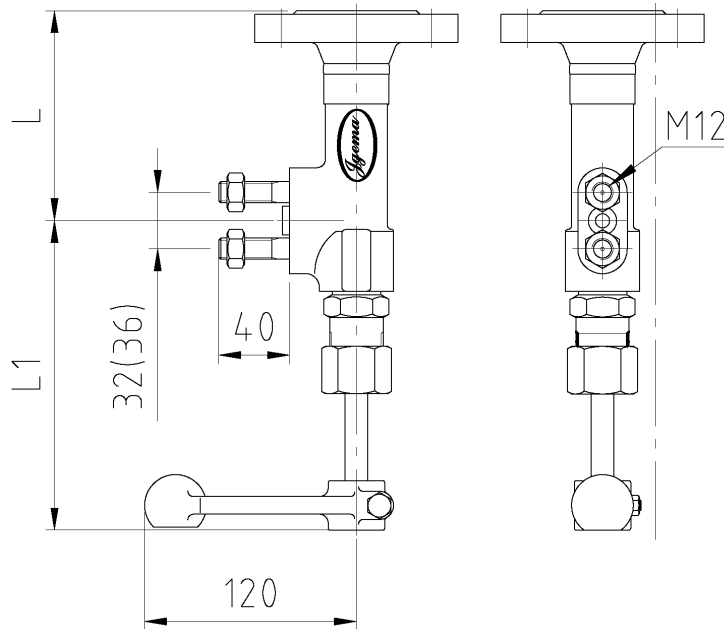
- Quick closing spindle
- Other process connections as per DIN or ASME, butt welding end and socket welding

### Technical data

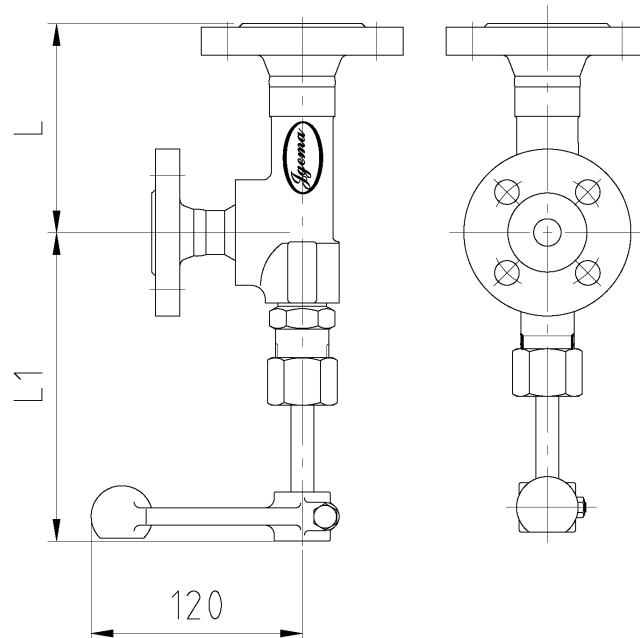
Allowable pressure	PS	[bar]	32
Allowable temperature	TS	[° C]	239



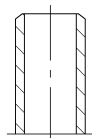
**A120 with flange as per DIN**



**A130 with flange as per DIN**

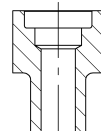


**Welding end**



Anschweißende DIN 3239  
But welding end ASME B16.25

**Socket Welding**



Socket welding  
SW ASME B16.11